



Sirius TSB



Features

- Motion control system provides increased labelling accuracy coupled with absolute speed matching to cope with variable speed demands of today's packaging lines.
- Enhanced control system incorporating single touch-screen user interface provides a very high level of user diagnostics. The unique software enables quick set-up times between product changeover and is self-monitoring to provide optimum reliability. This reduces the skill level required for operation and maintenance.
- Increased cabinet space allows for greater flexibility for future upgrades.
- Fully integrated inspection systems to identify label and/or overprint presence; barcode readability is available and easily incorporated. Also available is the integration of a vision system capable of identifying label position on the product plus the correct lot/expiration data.
- Modularized transmission system utilizing the latest technology ensures that the Sirius provides the optimum level of flexibility and reliability for all current and future labelling requirements.

Sirius Self-Adhesive Labelling System

Cost-effective, versatile, user-friendly, no change part labeling system

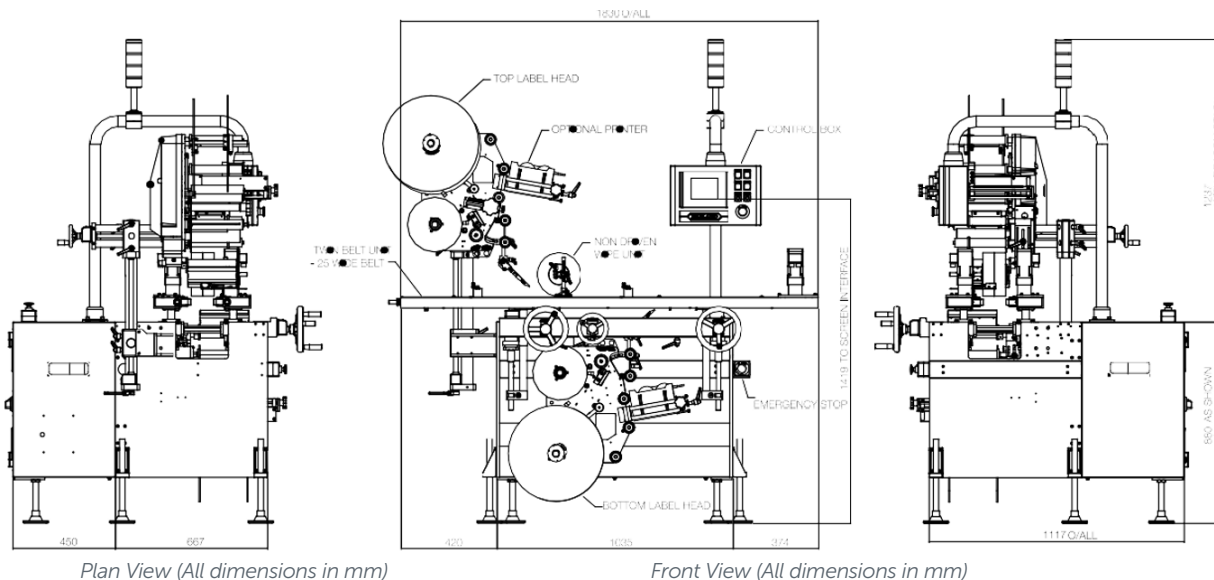
'Sirius' TSB is part of the family of labelling systems that have been designed to meet the most stringent GMP requirements as well as addressing the need to handle a wide variety of product and label shapes. The 'Sirius' TSB is specifically designed to apply top and/or bottom labels utilising a twin belt product handling system.

Technical Specifications

- Base Unit: Fabricated open frame base unit supporting a twin side belt system driven by servo motors.
- Infeed Unit: Scroll.
- Label Head: Label head speed motion controlled and stepper motor driven up to 28.5m/min
- Conveyor/Product Transfer: 1830mm twin side belt unit with options of belt thickness to suit the application, with speeds up to 25m/min.
- Finishing Units: Non-driven and driven wipedown rollers.
- Overprint Unit: Hot foil, deboss, thermal transfer, inkjet and laser codes can be fitted to this system.
- Ancillary Equipment: A wide range is available including pharmaceutical security systems, infeed/outfeed monitoring systems.
- Capacities: As standard.

Production Rates	Up to 300 products per minute depending on product and label sizes.
Electrical Requirements	220V/240 V single phase AC, 50/60 Hz. Special electrical options available on request.
Air Requirements	Air required for some overprinters and security systems.
Weight	As standard 320 kg
Product Capacity	Maximum Height: 300 mm Minimum Height: 30 mm Maximum Width: 200 mm Minimum Width: 20 mm
Label Capacity	Maximum Web Width: 155 mm Minimum Web Width: 13 mm Maximum Label Length: 330 mm Minimum Label Length: 10 mm

**All specification and tooling requirements are subject to Accrply evaluation of all label and product samples. Specifications shown reflect standard machine capabilities. Accrply can also meet other specification requirements. Please call for details.*



Accrply

Trine

Stanford

Graham

Sleevit

Harland

BW Packaging Systems represents the collective capabilities of Barry-Wehmiller packaging companies including, Accrply, BW Flexible Systems, BW Integrated Systems, Pneumatic Scale Angelus and Synerlink. Through their diverse capabilities, these companies can collectively provide everything from a single piece of equipment to fully integrated packaging systems for a wide range of industries, including: food and beverage, personal care, container manufacturing, pharmaceutical and medical devices, household products, paper products and textiles, industrial and automotive, and converting, printing and publishing. For more information, go to BWPackagingSystems.com

